

## Service Trolleys

### 1 Side Trolley for 300 EN 1/1 trays

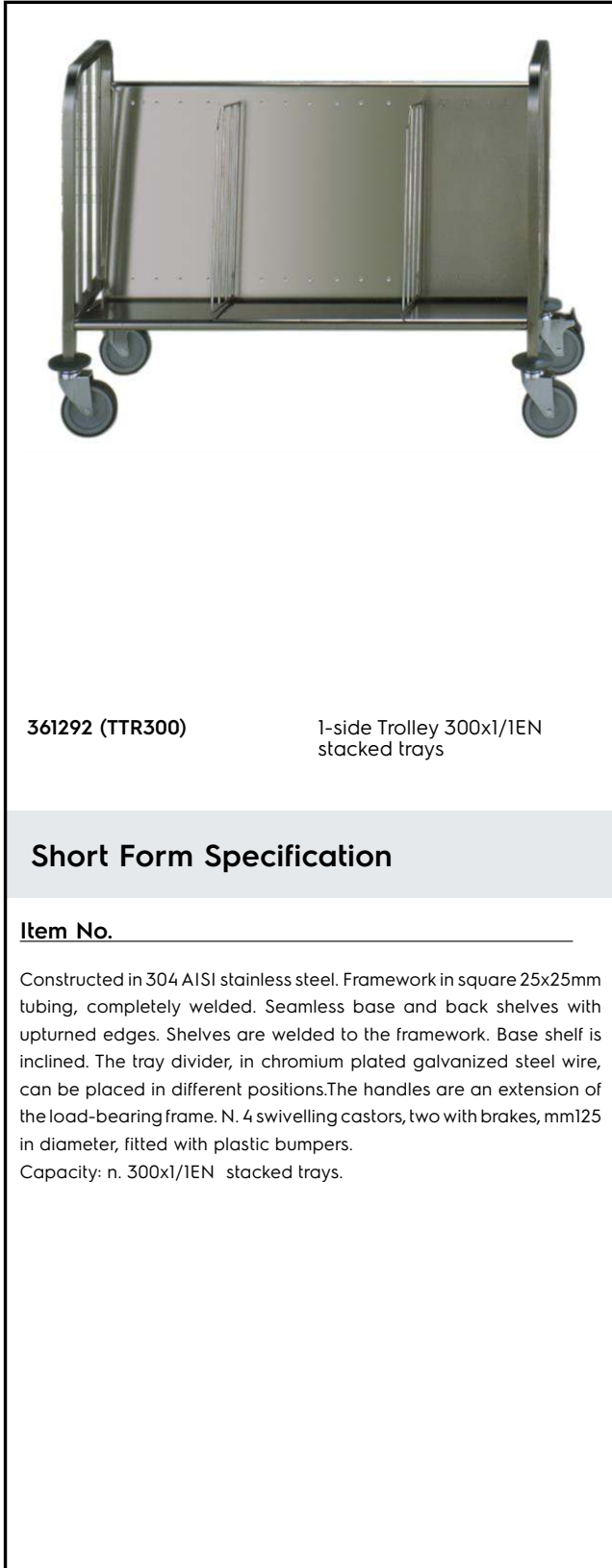
ITEM # \_\_\_\_\_

MODEL # \_\_\_\_\_

NAME # \_\_\_\_\_

SIS # \_\_\_\_\_

AIA # \_\_\_\_\_


**361292 (TTR300)**

 1-side Trolley 300x1/1EN  
 stacked trays

### Short Form Specification

**Item No.** \_\_\_\_\_

Constructed in 304 AISI stainless steel. Framework in square 25x25mm tubing, completely welded. Seamless base and back shelves with upturned edges. Shelves are welded to the framework. Base shelf is inclined. The tray divider, in chromium plated galvanized steel wire, can be placed in different positions. The handles are an extension of the load-bearing frame. N. 4 swivelling castors, two with brakes, mm125 in diameter, fitted with plastic bumpers.

Capacity: n. 300x1/1EN stacked trays.

### Main Features

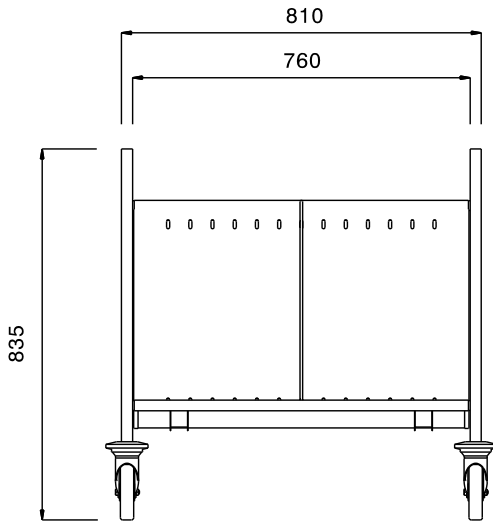
- Framework in square 25x25 mm tubing, completely welded.
- Plate divider in chromium plated galvanized steel wire, that can be placed in different positions
- Seamless inclined base and back shelves with upturn edges welded to the framework.
- Accomodates 300 EN 1/1 Trays.
- 4 pivoting Ø 125 mm wheels, 2 of which with brakes, fitted with plastic bumpers

### Construction

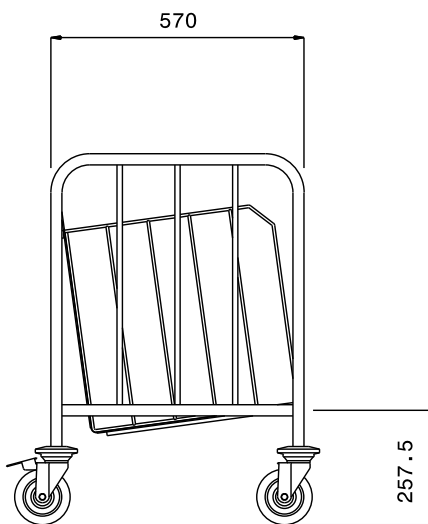
- Constructed entirely in 304 AISI stainless steel.

**APPROVAL:** \_\_\_\_\_

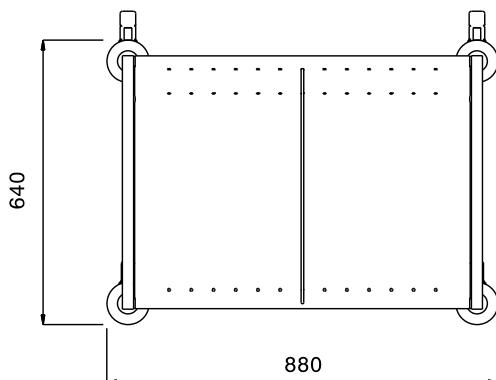
Front



Side



Top



**Key Information:**

External dimensions, Width:	
<b>361292 (TTR300)</b>	880 mm
External dimensions, Depth:	640 mm
External dimensions, Height:	835 mm
Wheel material:	Zinc plated
Wheel diameter:	Ø 125
Net weight:	20 kg